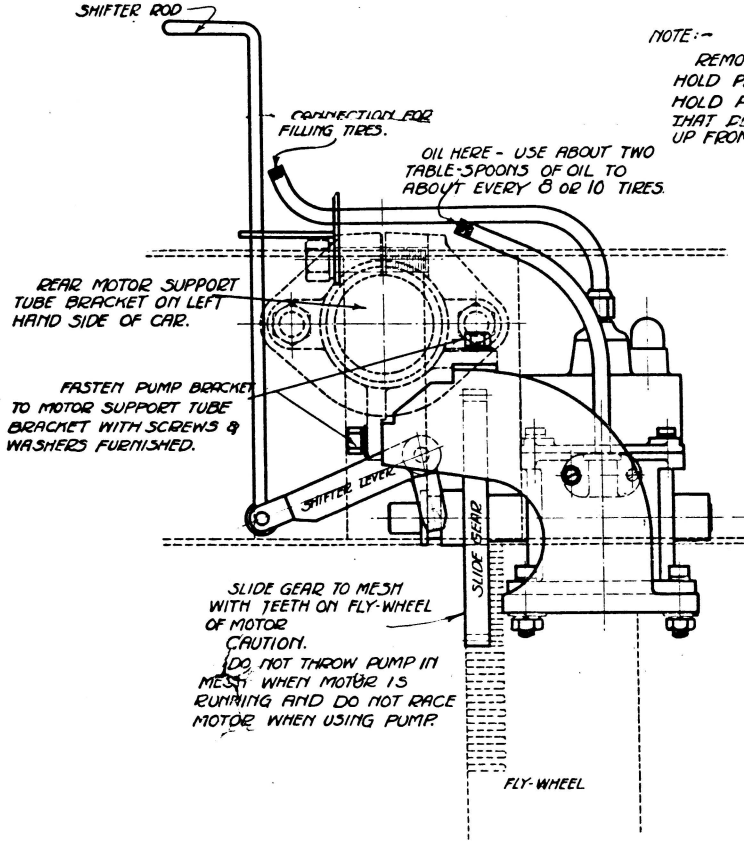
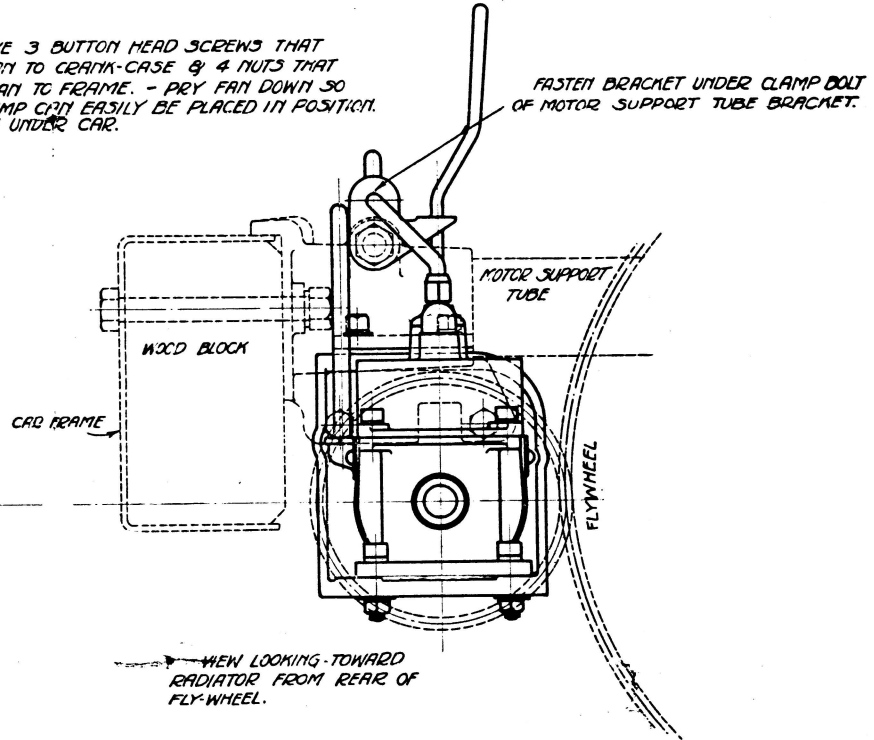


CHALMERS MODEL 32



NOTE:-

REMOVE 3 BUTTON HEAD SCREWS THAT HOLD PUMP TO CRANK-CASE & 4 NUTS THAT HOLD PUMP TO FRAME. - PRY PUMP DOWN SO THAT PUMP CAN EASILY BE PLACED IN POSITION. UP FROM UNDER CAR.



MODEL NO 101 TIRE PUMP INSTALLATION
CHALMERS MODEL 32
HELLOGG MFG. CO. ROCHESTER N.Y.